



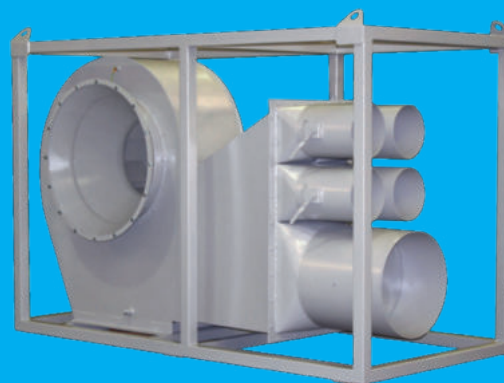
INDUSTRIAL TANK VENT FAN RANGE

Woodcock and Wilson manufacture a cost effective, fixed or portable centrifugal tank ventilation fan with high performance. Ideal for the introduction of fresh air to confined spaces to provide a safe working environment and for gas freeing of oil and chemical tanks. Fans can be fully portable so can be used on many vessels.

Whilst in today's safety conscious work place, the preferred option is of no-man entry into a confined space. In the necessary event of man-entry for tank cleaning, the requirement is for an extensive range of breathing apparatus, gas monitoring equipment and supply of fresh air.

The provision for the introduction of fresh air provides a safe working environment and gas freeing of tanks and therefore becomes paramount for the safe working environment for those involved in tank cleaning.

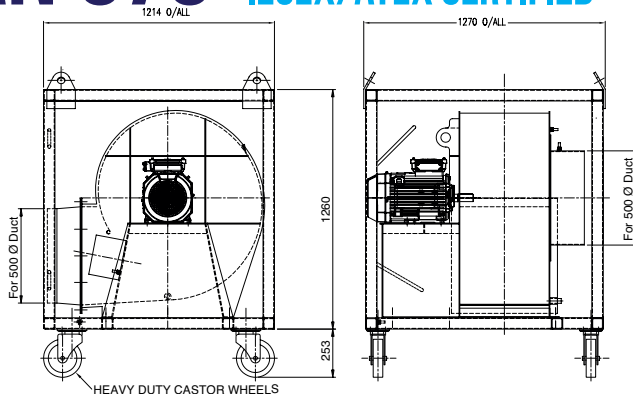
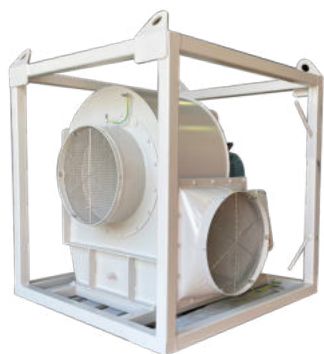
Woodcock & Wilson can provide a portable, electrically driven unit to provide fresh air for the safety of workers and of the vessels while cleaning of storage holds and tanks takes place. These units can be independently ATEX and/or IECEx Certified.





TANK VENT FAN 575 INDUSTRIAL TANK VENTILATION FAN

IECEX/ATEX CERTIFIED



CERTIFICATION: ELECTRICAL

MOTOR

Zone 1, Ex de IIB T4 Gb, IP56
Certified to ATEX/IECEX

STARTER

Zone 1, II 2 GD Ex d IIB T4, IP66
Certified to ATEX/IECEX

CERTIFICATION: NON-ELECTRICAL

ATEX Zone 1 Category 2G IIB T4
Certificate Number Sira 09ATEX 6230X
IECEX Ex h Gb IIB T4
Certificate Number IECEX SIR17.0076X

STANDARDS:

ISO 80079-36:2016 Non-electrical equipment for explosive atmospheres
ISO 80079-37:2016 Non-electrical type of protection constructional safety
BS EN 14986: 2017

KEY FEATURES:

- Independently dual certified to ATEX & IECEX
- Independently dual certified to ATEX & IECEX
- Integrated ATEX/IECEX starter
- Mobility frame with castor wheels and lifting lugs
- outlet arrangements:
- 500mm spigoted outlet

TECHNICAL SPECIFICATION:

- Power supply 400V 50Hz, 440V 60Hz or 690V 60Hz
- Rated current/Starting Current;
 - 400V 50Hz: 14.3A/120A
 - 440V 60Hz: 12.9A/122A
 - 690V 60Hz: 8.1A/66.4A
- Painted C5 Offshore Standard or hard wearing epoxy
- Weight: 600kg

PERFORMANCE:

- Maximum airflow 14,500m³/hr

ANCILLARY ITEMS:

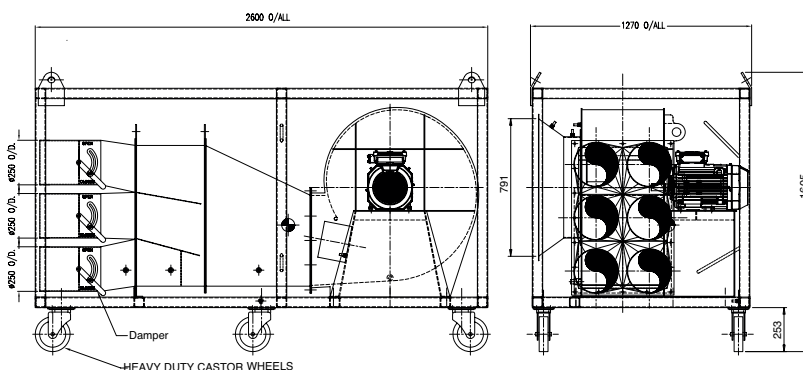
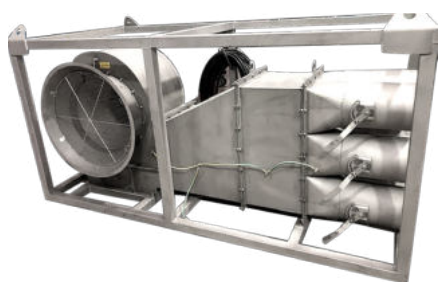
- Heavy duty lay-flat tube ducting
- Spare castor wheels

IIC Option available. Contact sales@fanmanufacturers.com

TANK VENT FAN 575 INDUSTRIAL TANK VENTILATION FAN

IECEX/ATEX CERTIFIED

WITH 6 OUTLETS



CERTIFICATION: ELECTRICAL

MOTOR

Zone 1, Ex de IIB T4 Gb, IP56
Certified to ATEX/IECEX

STARTER

Zone 1, II 2 GD Ex d IIB T4, IP66
Certified to ATEX/IECEX

CERTIFICATION: NON-ELECTRICAL

ATEX Zone 1 Category 2G IIB T4
Certificate Number Sira 09ATEX 6230X
IECEX Ex h Gb IIB T4
Certificate Number IECEX SIR17.0076X

STANDARDS:

ISO 80079-36:2016 Non-electrical equipment for explosive atmospheres
ISO 80079-37:2016 Non-electrical type of protection constructional safety
BS EN 14986: 2017

KEY FEATURES:

- Independently dual certified to ATEX & IECEX
- Integrated ATEX/IECEX starter
- Mobility frame with castor wheels and lifting lugs
- outlet arrangements:
- 6 x 250mm diameter outlets with individual stainless steel dampers

TECHNICAL SPECIFICATION:

- Power supply 400V 50Hz, 440V 60Hz or 690V 60Hz
- Rated current/Starting Current;
 - 400V 50Hz: 14.3A/120A
 - 440V 60Hz: 12.9A/122A
 - 690V 60Hz: 8.1A/66.4A
- Painted C5 Offshore Standard or hard wearing epoxy
- Weight: 850kg

PERFORMANCE:

- Maximum airflow 14,500m³/hr

ANCILLARY ITEMS:

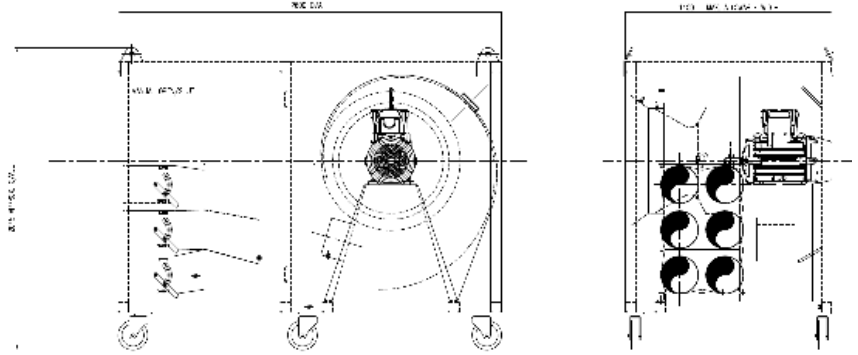
- Heavy duty lay-flat tube ducting
- Spare castor wheels

IIC Option available. Contact sales@fanmanufacturers.com



TANK VENT FAN 710

INDUSTRIAL TANK VENTILATION FAN
IECEX/ATEX CERTIFIED



CERTIFICATION: ELECTRICAL

MOTOR

Zone 1, Ex de IIB T4 Gb, IP56
Certified to ATEX/IECEX

STARTER

Zone 1, II 2 GD Ex d IIB T4, IP66
Certified to ATEX/IECEX

CERTIFICATION: NON-ELECTRICAL

ATEX Zone 1 Category 2G IIB T4
Certificate Number Sira 09ATEX 6230X
IECEX Ex h Gb IIB T4
Certificate Number IECEX SIR17.0076X

STANDARDS:

ISO 80079-36:2016 Non-electrical equipment for explosive atmospheres
ISO 80079-37:2016 Non-electrical type of protection constructional safety
BS EN 14986: 2017

KEY FEATURES:

- Independently dual certified to ATEX & IECEX
- Integrated ATEX/IECEX starter
- Mobility frame with castor wheels and lifting lugs
- outlet arrangements:
- 6 x 256mm diameter outlets with individual stainless steel dampers

TECHNICAL SPECIFICATION:

- Power supply 400V 50Hz, 440V 60Hz or 690V 60Hz
- Rated current/Starting Current;
- 400V 50Hz: 27.9A/212A
- 440V 60Hz: 25.8A/222A
- 690V 60Hz: 20.3A/163A
- Painted C5 Offshore Standard or hard wearing epoxy
- Weight: 1100kg

PERFORMANCE:

- Maximum airflow 29,000m³/hr

ANCILLARY ITEMS:

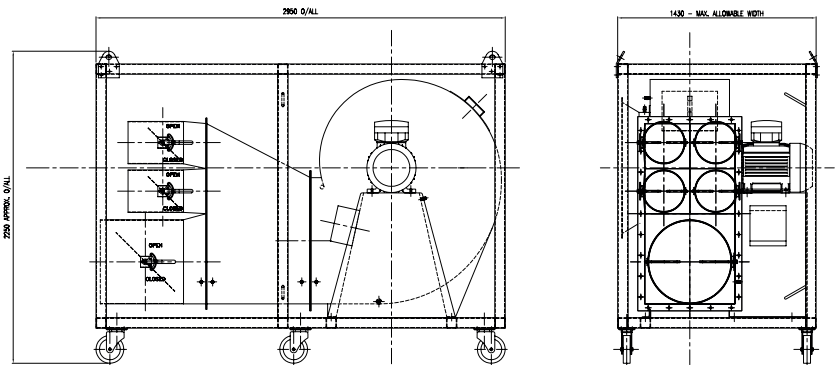
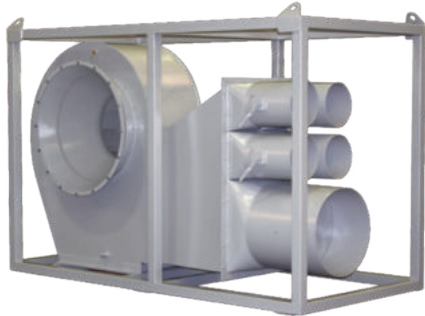
- Heavy duty lay-flat tube ducting
- Spare castor wheels

IIC Option available. Contact sales@fanmanufacturers.com

TANK VENT FAN 800

INDUSTRIAL TANK VENTILATION FAN
IECEX/ATEX CERTIFIED

WITH 6 OUTLETS



CERTIFICATION: ELECTRICAL

MOTOR

Zone 1, Ex de IIB T4 Gb, IP56
Certified to ATEX/IECEX

STARTER

Zone 1, II 2 GD Ex d IIB T4, IP66
Certified to ATEX/IECEX

CERTIFICATION: NON-ELECTRICAL

ATEX Zone 1 Category 2G IIB T4
Certificate Number Sira 09ATEX 6230X
IECEX Ex h Gb IIB T4
Certificate Number IECEX SIR17.0076X

STANDARDS:

ISO 80079-36:2016 Non-electrical equipment for explosive atmospheres
ISO 80079-37:2016 Non-electrical type of protection constructional safety
BS EN 14986: 2017

KEY FEATURES:

- Independently dual certified to ATEX & IECEX
- Integrated ATEX/IECEX starter
- Mobility frame with castor wheels and lifting lugs
- outlet arrangements:
- 1 x 600mm and 4 x 300mm outlets with individual stainless steel dampers

TECHNICAL SPECIFICATION:

- Power supply 400V 50Hz, 440V 60Hz or 690V 60Hz
- Rated current/Starting Current;
- 400V 50Hz: 41.0A/299A
- 440V 60Hz: 37.3A/272A
- 690V 60Hz: 31.6A/218A
- Painted C5 Offshore Standard or hard wearing epoxy
- Weight: 1300kg

PERFORMANCE:

- Maximum airflow 40,000m³/hr

ANCILLARY ITEMS:

- Heavy duty lay-flat tube ducting
- Spare castor wheels

IIC Option available. Contact sales@fanmanufacturers.com