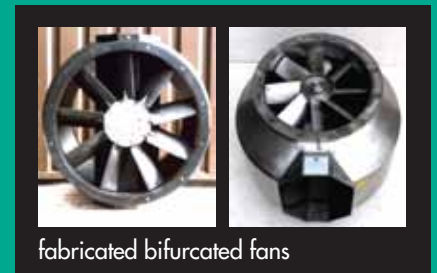


# FABRICATED BIFURCATED FANS

Bifurcated fans are ideal for exhausting or recirculating fumes, gases and hot air up to 80°C (NT) or 200°C (HT) continuous operation. Compared to direct drive axial types, bifurcated fans have the following advantages:

- / Higher temperature ratings
- / Isolation of motor from heat or contaminants in the airstream
- / Easier maintenance

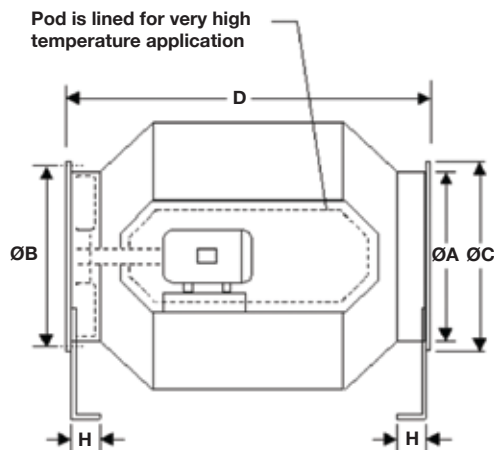
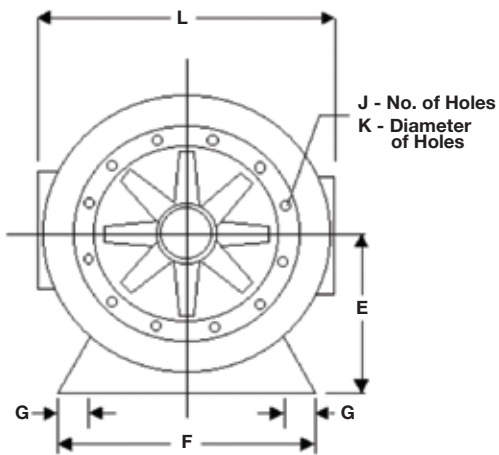


Bifurcated axial fans are used in situations where it is important that the motor is kept out of the airstream (though with suitable access to ambient air) due to the type or temperature of the gases/fumes involved. Higher temperature applications are also available - please contact W&W for further information.

## TECH/SPEC

Up to **40 m<sup>3</sup>/sec**  
Up to **1.5 kPa**

arrangement	Direct Driven	
ATEX	ATEX (II 2/3/G/D T1-T6) specification fans available for hazardous areas.	
construction	Bifurcated fans are direct driven axial fans where the motor is encased in a central pod to isolate it from the airflow.	
motors	<p>In most instances foot mounted T.E.F.C. electric motors are fitted. The motors are selected to cover the 'peak' power absorbed for fan blade pitch angle and speed.</p> <p>The common voltages are 220, 220/380, 380, 240/415 and 460. Motors can be wound for any voltage / frequency and also for dual voltage. The use of standard foot mounted motors of this type guarantees interchangeability in most countries of the world with machines of similar speed/power.</p> <p>EExd, EExnA, single phase, 2/3 speed and company specification motors can always be obtained.</p>	
impellers/250-1250mm diameter	<p>Impellers have variable or fixed pitch blades. Available in glass reinforced polypropylene (PPG), glass reinforced (PAG), anti static glass reinforced polyamide (PAGAS), vibration stabilised glass reinforced polyamide (PAGST) and aluminium (AL).</p> <p>A wide choice of blade angles are available and each blade is generally replaceable in the event of breakage. All sizes of impellers can be supplied with varying number of blades to suit the application.</p>	
extra features	<p><b>Mounting Feet</b> <b>Flexible Connections</b> <b>Anti-Vibration Mountings</b> <b>Mating Flanges</b></p>	<p><b>Inlet Bellmouths</b> <b>Guards</b> <b>Back-Draught Shutters</b> <b>Special Paint Finishes</b></p>
finish	<p><b>Standard</b> – Zinc Phosphate <b>Optional</b> – Epoxy Paint or Hot Dipped Galvanised or Stainless Steel</p>	



fan support feet are priced as extras

# FABRICATED BIFURCATED FAN DIMENSIONS

Size	ØA	ØB	ØC	D	E	F	G	H	J	KL	
250	250	295	330	550	250	400	50	45	8	10	450
315	315	355	395	610	330	500	50	45	8	10	560
400	400	450	480	680	380	600	50	45	8	12	660
500	500	560	594	790	420	700	50	45	12	12	735
560	560	620	654	800	430	750	50	45	12	12	760
630	630	690	724	800	470	750	50	45	12	12	800
710	710	770	804	800	505	860	50	45	16	12	910
800	800	860	894	1000	550	900	50	45	16	12	1000
900	900	970	1006	1250	600	1000	75	50	16	15	1100
1000	1000	1070	1106	1250	650	1000	75	50	16	15	1200
1250	1250	1320	1388	1500	750	1250	75	50	20	15	1300

due to continual product development, the company reserves the right to change design or specifications

Airstream works, Blackmoorfoot Rd, Crosland hill,  
Huddersfield, West Yorkshire HD4 7AA

Tel. +44 (0) 1484 462 777 sales@fanmanufacturers.com  
Fax. +44 (0) 1484 462 888 www.fanmanufacturers.com

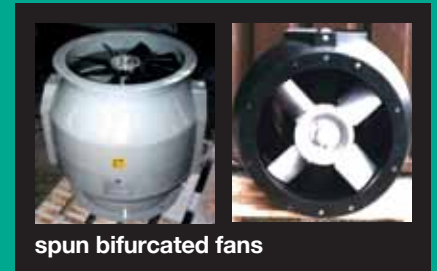
Registered in England N° 1353953 VAT N° GB 185122571



# SPUN BIFURCATED FANS

Bifurcated fans are ideal for exhausting or recirculating fumes, gases and hot air up to 80°C (NT) or 200°C (HT) continuous operation. Compared to direct drive axial types, bifurcated fans have the following advantages:

- / Higher temperature ratings
- / Isolation of motor from heat or contaminants in the airstream
- / Easier maintenance

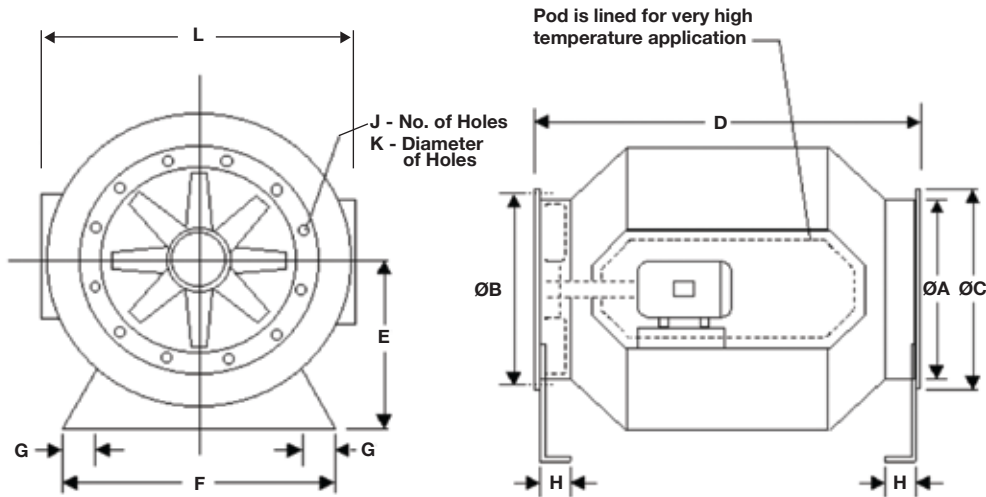


Bifurcated axial fans are used in situations where it is important that the motor is kept out of the airstream (though with suitable access to ambient air) due to the type or temperature of the gases/fumes involved. Higher temperature applications are also available - please contact W&W for further information.

## TECH/SPEC

Up to **5 m<sup>3</sup>/sec**  
Up to **0.5 kPa**

arrangement	Single Stage	
ATEX	ATEX (II 2/3/G/D T1-T6) specification fans available for hazardous areas	
construction	Bifurcated fans are direct driven axial fans where the motor is encased in a central pod to isolate it from the airflow.	
motors	<p>In most instances foot mounted T.E.F.C. electric motors are fitted. The motors are selected to cover the 'peak' power absorbed for fan blade pitch angle and speed.</p> <p>The common voltages are 220, 220/380, 380, 240/415 and 460. Motors can be wound for any voltage / frequency and also for dual voltage. The use of standard foot mounted motors of this type guarantees interchangeability in most countries of the world with machines of similar speed/power.</p> <p>EExd, EExnA, single phase, 2/3 speed and company specification motors can always be obtained.</p>	
impellers/150-500mm diameter	<p>Impellers have variable or fixed pitch blades. Available in glass reinforced polypropylene (PPG), glass reinforced (PAG), anti static glass reinforced polyamide (PAGAS), vibration stabilised glass reinforced polyamide (PAGST) and aluminium (AL).</p> <p>A wide choice of blade angles are available and each blade is generally replaceable in the event of breakage. All sizes of impellers can be supplied with varying number of blades to suit the application.</p>	
extra features	<p><b>Mounting Feet</b> <b>Flexible Connections</b> <b>Anti-Vibration Mountings</b> <b>Mating Flanges</b></p>	<p><b>Inlet Bellmouths</b> <b>Guards</b> <b>Back-Draught Shutters</b> <b>Special Paint Finishes</b></p>
finish	<p><b>Standard</b> – Zinc Phosphate <b>Optional</b> – Epoxy Paint or Hot Dipped Galvanised or Stainless Steel</p>	



fan support feet are priced as extras

# SPUN BIFURCATED FAN DIMENSIONS

Size	ØA	ØB	ØC	D	E	F	G	H	J	K	L
150	150	196	215	600	200	250	30	30	4	10	300
250	250	295	315	537	250	400	50	45	8	10	400
315	315	355	395	550	336	500	50	45	8	10	440
400	400	450	480	627	380	600	50	45	8	12	540
500	500	560	594	700	420	700	50	45	12	12	700

due to continual product development, the company reserves the right to change design or specifications

Airstream works, Blackmoorfoot Rd, Crosland hill,  
Huddersfield, West Yorkshire HD4 7AA

Tel. +44 (0) 1484 462 777 sales@fanmanufacturers.com  
Fax. +44 (0) 1484 462 888 www.fanmanufacturers.com

Registered in England N° 1353953 VAT N° GB 185122571



**WOODCOCK  
& WILSON LTD**  
FANMANUFACTURERS.COM